

Stand-On Scale

Model SR555i

Now featuring touchless weighing*

The SR555i Stand-On Scale combines accuracy, portability, and durability into one of the best selling stand-on weighing systems on the market.

Manufactured of heavy duty cast aluminum, the SR555i has a weight capacity of 1000 pounds, yet is lightweight, portable, and highly maneuverable, helping to reduce caregiver strain and injury.

A true workhorse designed to go the distance for everyday institutional use.

Image shown with optional handrails and height bar



Integrated front hand hold

Platform size: 15 - 3/4" x 18 - 1/2"

*SR555i, SR585i, SR755i scales now feature optional AC power that enables scales to remain plugged in, always on, and ready to weigh a patient with no button activation.

ANTIMICROBIAL

SR Scales contain antimicrobial technology for powerful, continuous product protection against bacteria.

PORTABLE

Just Tip n' Go! Take the scale to the patient for an ideal point-of-use scale.

MEMORY RECALL

Recalls the last stored weight.

AC OR BATTERY OPERATED

An optional Medical grade wall power supply can be plugged into the scale for touchless scale operation. Additionally 6 "C" cell batteries provide approximately 10,000 weigh cycles with programmable Auto Power Down (APD) to conserve power when not plugged in.

SOLID CAST ALUMINUM CONSTRUCTION

Durable and easy to clean.

INTEGRATED FRONT HAND HOLD

Patient can use the integrated front hand hold for stability without affecting accuracy.

BMI CALCULATION

Enter height information to calculate and display body mass index.

EHR/EMR READY

Serial data output can be used to communicate with electronic health records through send or get commands.

OPTIONAL EQUIPMENT

- Medical grade wall power supply
- Hand Rail – Increases patient stability without affecting accuracy.
- Height Rod – Easily measure in both inches and centimeters.
- Thermal printer



EASY TRANSPORT & STORAGE



4 YEAR WARRANTY



MADE IN THE USA

Stand-On Scale

Model SR555i



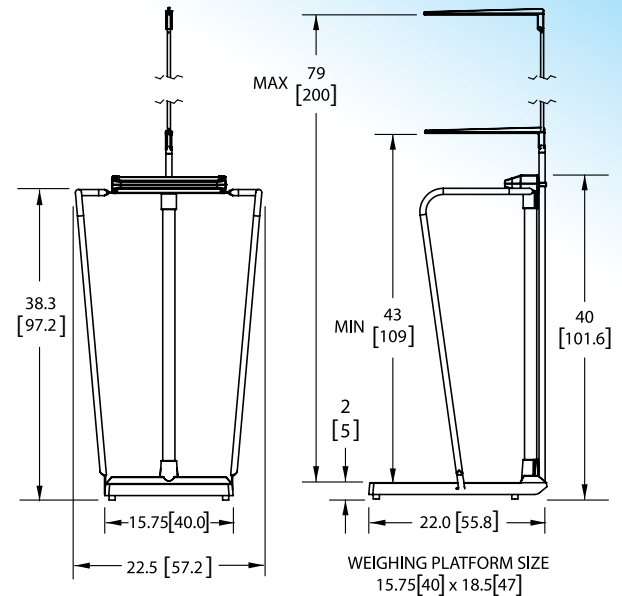
SYSTEM SPECIFICATIONS

MAX WEIGHT	1000 Lb / 454 Kg
DISPLAY TYPE	16 Character LCD w/LED Backlight
DISPLAY RESOLUTION	0.1 Lb/Kg
ACCURACY	0.1% +/- 1 digit of displayed resolution
DISPLAY UNITS	Pounds / Kilograms
POWER	6 "C" cell alkaline batteries and optional medical grade wall power supply.
BATTERY LIFE	10,000 weigh cycles (est. based on 30 second on-time)
AUTO POWER DOWN (APD)	Programmable on-time to conserve battery life. A low battery indication will appear when it's time to replace the batteries.
MEMORY	Last stable weight is automatically stored in memory. Press RECALL to retrieve.
BMI CALCULATION	Press BMI and input height. Press ENTER to view BMI information.
SERIAL DATA OUTPUT (EHR)	9-pin serial data output can be used to send weight data to optional printer or EHR/EMR systems.
WARRANTY	4 years

ACCESSORIES AND OPTIONS

DESCRIPTION	PART NUMBER
SR555I WITH AC ADAPTOR	SR555i-AC
KILOGRAM ONLY SCALE	SR555i-KG
MEDICAL GRADE POWER SUPPLY	FRGSM06U09P1J
HEIGHT ROD (ADD -CM SUFFIX FOR CENTIMETER)	SR3086MB
HAND RAILS (set of 2)	SR3070
PRINTER KIT includes FRAP1300, FRTP130012C, FRBC1300, SE8294, and all mounting hardware	SR8219

DIMENSIONS in [cm]



PACKAGING

